

Carisma®

DIGITAL PROPORTIONAL RADIO CONTROL MODELS



DIMENSION

SCALE : Mini 1/10

HEIGHT : 144mm

TYRE : Ø75mm x 27mm(width)

LENGTH : 338mm

WIDTH : 214mm

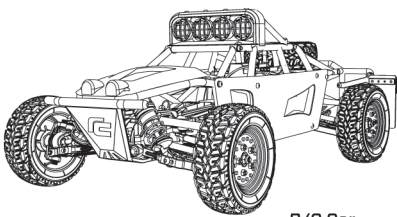
WHEELBASE : 229mm



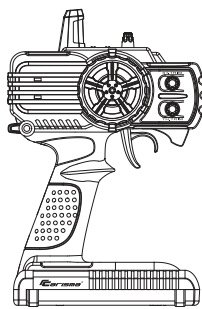
INSTRUCTION MANUAL



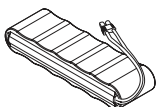
WHAT'S IN THE BOX



R/C Car



Transmitter



7.2V 1400mAh NiMH Rechargeable Battery Pack



Battery Charger



Hex Wrench



4 x AA Batteries



Wrench

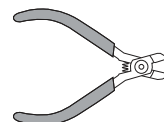
TOOLS RECOMMENDED (NOT INCLUDED)



Long Nose Pliers



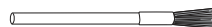
Screwdriver (Small)



Nippers



Screwdriver (Large)



Soft Brush



Hex Driver

SAFETY PRECAUTIONS

SAFETY PRECAUTIONS

THIS MODEL IS ONLY SUITABLE FOR PEOPLE 14 YEARS OLD AND UP.

THIS RADIO CONTROL MODEL IS NOT A TOY.

Beginner should seek advice from experienced person in order to assemble the model or parts correctly and to make best performance.

* Assemble this model or parts only in place out of children's reach, and take safe precautions before operating this model. User is fully responsible for the model assembly and safe operations.

Introduction

This is a sophisticated hobby product and not a toy. It must be operated with caution and common sense. User also requires some basic mechanical abilities. Fail to operate this product in a safe and responsible manner could result in injury or do damage to the product or other properties. This product is not intended for use by children without direct adult supervision. The product manual contains instructions for safe operation and maintenance. It is essential to read and follow all the instructions and warnings in the manual prior to assembly, setup or use, in order to operate correctly and avoid damage or injury.

Safety, Precautions, and Warnings

As the user of this product, you are solely responsible for operating it in a manner that does not endanger yourself and others or result in damage to the product or the property of others.

This model is controlled by a radio signal that is subject to interference from many sources outside your control. This interference can cause momentary loss of control so it is necessary to always keep a safe distance in all directions around your model, as this will help to avoid collisions or injury.

- Always operate your model in an open area away from cars, traffic, or people.
- Avoid operating your model on the street where injury or damage can occur.
- Never operate the model out into the street or populated areas for any reason.
- Never operate your model with low transmitter batteries.
- Carefully follow the directions and warnings for this product and any optional support equipments (chargers, rechargeable battery packs, etc.) that you use.
- Keep all chemicals, small parts and anything electrical out of the reach of children.
- Moisture causes damage to electronics. Avoid water exposure to all equipments not specifically designed and protected for this purpose.

CE Compliance Information For The European Union

The associated regulatory agencies of the following countries recognize the noted certifications for this product as authorized for sale and use.

UK	DE	DK	BG	SE	CZ	ES	NL	SK	HU	RO	FR	PT
FI	EE	LV	LT	PL	AT	CY	SI	GR	MT	IT	IE	LU

Declaration of Conformity

Products: Carisma CTX-2710 2.4GHz Transmitter, MRX2800 Receiver

Equipment Class: 2

The objects of declaration described above are in conformity with the requirements of the specifications listed below.

Item Name : Carisma CTX-2710 2.4GHz Transmitter and MRX2800 Receiver

ETSI EN 300 328 V1.7.1:2006

ETSI EN 301 489-1 V1.8.1:2008

EN 301 489-17 V2.1.1:2009

EN 50371:2002

Directive 1999/5/EC (R&TTE)

Article 3.1a Health

Article 3.1b EMC

Article 3.2 Radio Spectrum

FCC ID YDTMTM27HP

Statement - This device complies with Part 15 of the FCC Rules.

Operation is subject to the following two conditions:

- (1) this device may not cause harmful interference, and
- (2) this device must accept any interference received, including interference that may cause undesired operation.

Changes or modifications not expressly approved by the party responsible for compliance could void the user's authority to operate the equipment.

RF Exposure Warning:

This equipment complies with FCC radiation exposure limits set forth for an uncontrolled environment.

And should be operated with minimum distance of 20 cm between the antenna & your body.



Manufactured By : Mun Ah Plastic Electronic Toys Company.,Ltd

ABOUT THE RADIO SYSTEM

Carisma CTX-2710 2.4GHz FHSS Technology System

The following is an overview of the various functions and adjustments found on CTX-2710 radio system for Carisma models. It is important to read and understand about all of these functions and adjustments before driving.

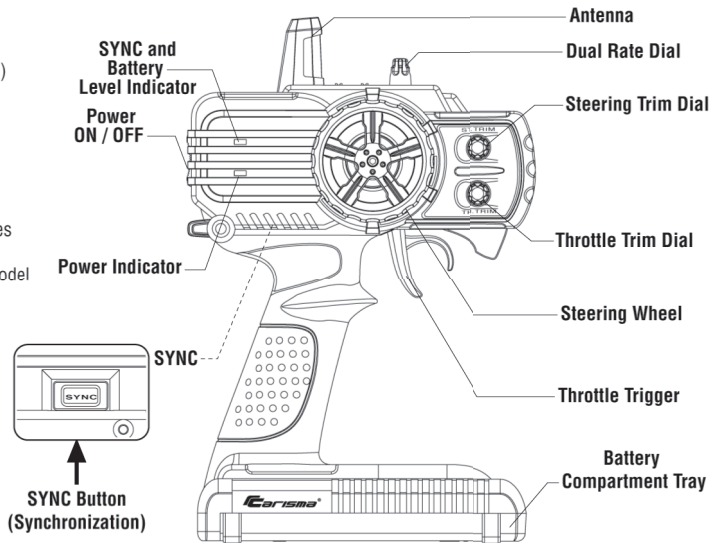
Function

The Transmitter CTX-2710

- Steering Wheel :** Control direction (Left / Right) of the RC model.
- Throttle Trigger :** Control speed and direction (Forward/Brake/Backward) of the driving model.
- Antenna :** Transmit signal to the model.
- Power ON / OFF :** Power ON / OFF the transmitter
- SYNC & Battery Indicator :** Top Green LED light indicates synchronization status and/or adequate battery power supply.
- Power Indicator :** Bottom Red LED light indicates power "ON".
- Dual Rate Dial :** Adjust the same maximum steering angle on both sides when model turns Left / Right
- ST. Trim Dial :** Adjust the neutral position of steering servo when model wheels are straight ahead.
- TH. Trim Dial :** Make sure the model stays still when releasing the throttle trigger.

Battery Compartment Tray : Cover and hold the batteries powering the transmitter.

* In general, user will experience under steer when making a wide turn at high speed or over steer when making sharp turn at high speed (easy to spin out). User should practice the throttle and steering approach for different cornering at different speed or road surface.



CTX-2710

Battery Installation

Supplied with 4 x 1.5V AA Batteries, CTX-2710 can be operated a few hours. Installation: Remove the battery compartment cover as shown below.

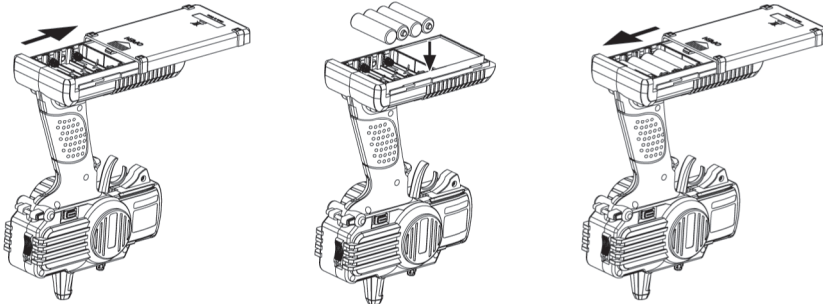
Install the batteries observing the polarity marked on battery compartment.

Then reinstall the battery compartment cover as the Picture shown below.

Warning : Never disassemble batteries or put the batteries in fire, chemical agents, otherwise they may cause personal injuries or property damages.

Battery Disposal : Observe corresponding regulations about wasted battery treatment regulations.

1. After running out of power, dispose of wasted batteries in designated areas far away from water supply, household areas and planted areas.
2. Submit the wasted batteries to specific recycling stations.

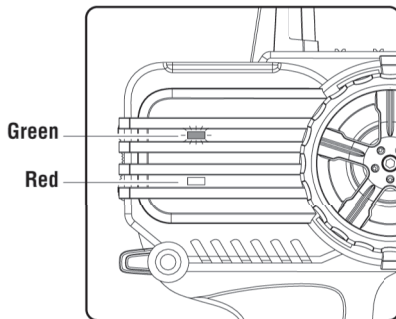


Battery LED Indicator

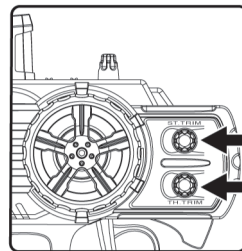
The Green LED indicator located on the front left side of the transmitter indicates the power supply of batteries. The green LED will go solid on indicating that the batteries have sufficient power. When batteries voltage drops below 4 volts, the Green LED will flash, indicating the batteries power is low and should be replaced.

Solid Green :
Sufficient Power supply

Flashing :
Time to replace batteries



Pre-Run Check




1. **Steering :** Adjust the steering trim to keep the front wheels in straight line when steering wheel remains in NEUTRAL position.
2. **Throttle :** Adjust the throttle trim to ensure the rear wheels stop rotating when throttle trigger remains in NEUTRAL position.

* Always turn on the transmitter first by sliding the switch on the left side from bottom to top. The small red and green lights above the switch should both light up. If not, you need to check for low or incorrectly installed batteries.

Instructions for Disposal of WEEE by Users in the European Union

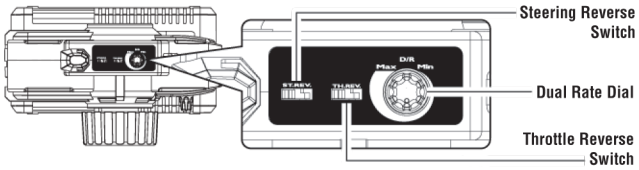
This product must never be thrown away with other waste. Thus the users are liable for disposing the wasted model by submitting them to designated collection stations specific for recycling electronic and electric items. Disposing of the wasted model in this way is helpful to conserve natural resources and enable to keep human health and protect the environment. For more information about wasted model disposal and recycling, please contact your local city office, your disposal service or where you purchased the product.

For Transmitter
 x 4
 Heavy Duty
 1.5V "AA" Size Batteries



ABOUT THE RADIO SYSTEM

Top Control Panel



Reversing

Reversing is used to change the response direction of steering wheel and throttle trigger. CTX-2710 Transmitter features 2 reversing functions: Steering Reverse and Throttle Reverse.

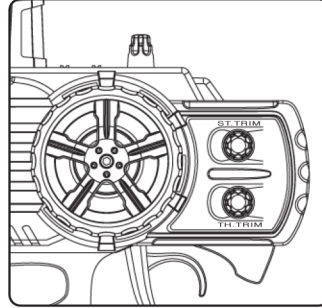
Steering Reverse: Reverse the response direction when operating steering wheel. Turning left steering wheel, the model turns right while turning right the model turns left.

Throttle Reverse: Reverse the response direction when operating throttle trigger. Pushing forward throttle trigger the model moves backward while pulling back, the model moves forward. If necessary you can just use a small screwdriver to adjust the or responding switches.

Dual Rate Dial

Dual Rate Dial enables to adjust the same maximum steering angle of servo on both sides (Left and Right) when model makes steering. The Dual Rate Dial affects the sensitivity of servo. Reducing dual rate value can lower the sensitivity of servo and reduce the same maximum steering angle on both sides. Remember to adjust the dual rate value within the adjustment range.

Trimming



CTX-2710 features two trimming functions: Steering Trim and Throttle Trim.

Steering Trim Dial :

Adjust the neutral position of steering servo when the wheels are straight ahead. Normally steering trim is adjusted until the model can keep straight tracks.

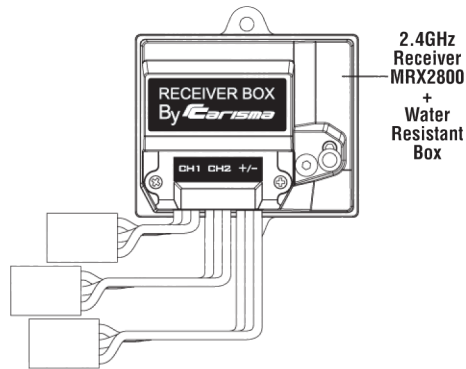
Throttle Trim Dial :

Adjust neutral position of throttle servo. Make sure the model stays still when releasing the throttle trigger.

RECEIVER CONNECTION AND INSTALLATION

Carisma 2.4GHz Receiver MRX2800 + Water Resistant Box

This product comes with the Transmitter and the Receiver Pre-Binded for immediate operation. In the event that you need to Re-Bind the Transmitter and Receiver. Please follow this procedure to access the Receiver Bind button from the Water Resistant Housing.



CH1 - Steering Port : Where to plug in the servo.

CH2 - Throttle Port : Where to plug in the Electronic Speed Controller (ESC).

+/- - Auxiliary Port (Reserved)

WARNING :

- Never bend the metal pins on the PCB of receiver.
- Never cut the antenna cable.
- Install the antenna vertically as shown in the figure.
- Keep the antenna as far away from the motor, ESC and other noise sources as you possibly can.

TIPS :

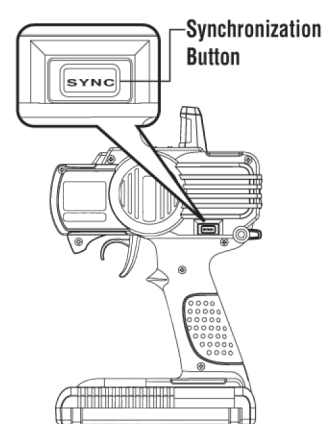
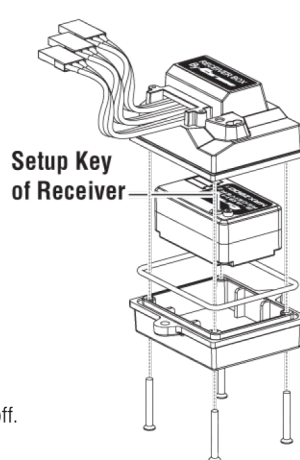
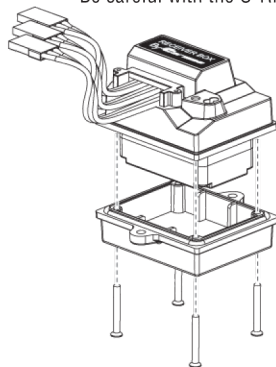
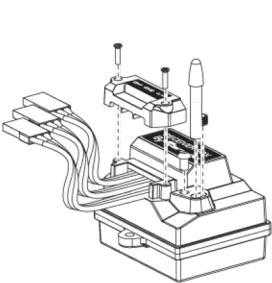
- Wrap the receiver with something soft, such as foam rubber, to avoid vibration. If there is a chance of getting wet, put the receiver in a waterproof bag or balloon.

Synchronization & Frame Rate Adjust

STEP 1 : Remove the connecting wires bracket

STEP 2 : Separate the housing by removing the mounting screws. Be careful with the O-Ring Seal

STEP 3 : Proceed the binding procedures as described below



1. Release the screw and open the water box.
2. Prior to any operation make sure the transmitter and receiver are both turned off.
3. Press and hold the setup button on the receiver while power on the receiver.
4. Release the setup button till GREEN LED flashes.
5. Press the setup button to select the frame rate with GREEN LED flashing.
Faster Flashing = High frame rate (7ms) for digital servo
Slower Flashing = Low frame rate (15ms) for analogue servo
6. Power on the transmitter. With the transmitter steering wheel and throttle trigger in neutral position (full stop and straight steering), press the SYNC button of the transmitter.
7. When synchronization is done, the GREEN LED on both receiver and transmitter will turn solid ON.

Water Resistant ESC MSC-18WP Features

ESC Features:

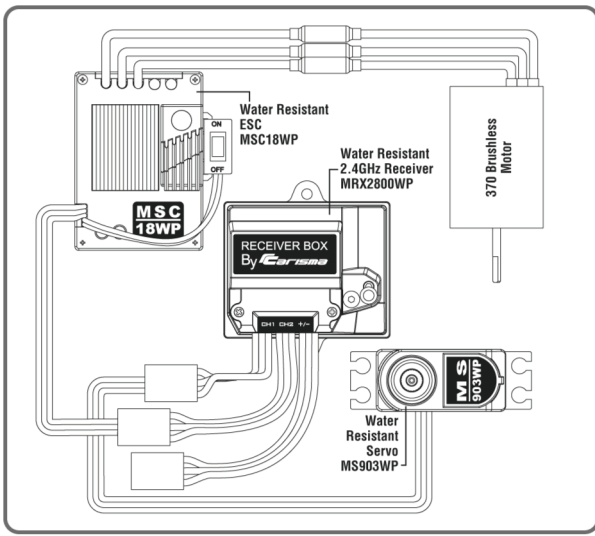
- Water Resistant
- Programming by Transmitter during Power Up the ESC
- Battery Selection:
 - 7.4V 2 cells LiPo
 - 7.2V NiMH
- TWO ESC profile:
 - Forward / Reverse with Smart Brake
 - Forward Only
- Battery Over Voltage Protection (Max Input voltage = 13V)
- Overheat Protection
- Motor Stall Detection

Select Motor Type:

- Auto Detect Brushed or Brushless motor.
 - When Power ON the ESC, it will check the connection between Red and White wire, if it is shorted, then it will consider it is a brushed motor.
- Brushed Motor:
 - Motor (+) connected to Red and White Wire of ESC
 - Motor (-) connected to Black Wire of ESC
- Brushless Motor:
 - Connect the 3 motor wires to Red, White and Black wire of ESC as usual.

LED Indicator:

- After Power ON:
 - LED will be flashed for 2 second to indicate the currently selected battery type:
 - Flashing Green: Battery = NiMH
 - Flashing Red: Battery = LiPo
- Normal Operation:
 - Stop: GREEN LED solid ON (Forward/Reverse with Smart Brake)
 - Flashing GREEN LED (Forward Only with Brake)
 - Forward (NOT full speed): All LED OFF
 - Forward (Full speed): RED LED ON
 - Reversing (NOT full speed): All LED OFF
 - Reversing (Full speed): GREEN LED ON
 - Brake: RED and GREEN LED solid ON
- Overheat Protection:
 - When the temperature of ESC is out of range (over 90 degree), ESC will enable first stage overheat protection. The max output power to motor will be limited to 50% only.
 - If the temperature of ESC is continues out of range, ESC will enable second stage overheat protection. ESC will shut off power output automatically. Meanwhile, alternative RED and GREEN LED will be flashing for 30 sec. After 30 sec, ESC will back to normal.
- Motor Stall Protection:
 - When the motor is stalled, ESC will shut off power output automatically. Meanwhile, RED LED will be flashing for 10 sec, After 10 sec, ESC will back to normal.
- Battery Over Voltage (battery over 13V):
 - RED LED solid ON, flashing GREEN once per second
- Battery Under Voltage (4.5V for NiMH, 6V for 2 cell LiPo):
 - GREEN LED solid ON, flashing RED once per second



Battery Selection, End-Point Calibration & ESC Mode Selection:

- Set the TH end-point travelling to Max, and Throttle Trimmer at center position
- Hold the Throttle Trigger at Max Forward/Reverse position and then power on the ESC
- Keep holding the TH at Max Forward/Reverse until both LED flashing, then release TH to stop position
- Now, ESC at "Selecting Item to be Programmed Stage", ESC will display the follow pattern one by one, and then repeat:
 1. GREEN LED only Toggle Battery Type
 2. RED LED only End points calibration
 3. RED + GREEN LED Toggle ESC Mode

- When the throttle is moved to Max Fwd/Rev, ESC will execute the Setting Task:

Setting Battery Type:

- ESC change to another Battery type
- Both LED flashed 3 times
- Display 2 sec Power on sequence - indicate the currently selected battery type
- Next, normal operation

End Points Calibration:

- While waiting TH return to stop, keep flashing GREEN LED.
- Once stop position is detected, GREEN LED solid ON for 1 sec, and then
- While waiting TH move to Max Fwd, keep flashing RED LED, once Max Fwd position detected, Red LED solid on for 1 sec, and then
- While waiting TH move to Max Rev, keep flashing GREEN LED + RED solid ON, once max rev position detected, GREEN LED solid ON for 1 sec, and then
- Both LED flashing 3 times
- Display 2 sec Power ON sequence - indicate the current Battery type
- Next, normal operation

Setting ESC Mode:

- ESC change to another ESC mode
- Both LED flashing 3 times
- Display 2 sec power ON sequence - indicate the current Battery type
- Next, normal operation:
- When TH at STOP Position, the GREEN LED indicate the current ESC mode:
 - GREEN LED Solid ON = Forward / Reverse with Smart Brake Mode
 - GREEN LED Flashing = Forward Only with Brake

BATTERY PACK & CHARGER MANUAL

WARNING

To reduce the risk of fire, electric shock or injury, carefully follow these instructions.

This manual contains important safety and operating instructions for your charger. Before using the battery charger, read all the following in this instructions manual on the battery chargers and the rechargeable batteries to be charged, and on the products that use the rechargeable batteries.

Plug supplied charger into mains outlet socket. Connect the 7.2V rechargeable battery pack to the charger. The charger's connector fits only one way. Don't force it! If the connectors do not fit together easily, be sure that you have positioned them properly. Average recharging time is approximately 2 to 3 hours maximum. When recharging is over, remove the charger from the household outlet. After recharging is completed, disconnect the battery pack from the battery charger.

The 7.2V battery pack is not supplied pre-charged and you must charge it before connecting the R/C car. The 7.2V battery pack and charger will get hot while charging. This is normal. Do not charge on, or near to, a material / surface that is flammable or can be damaged by heat. When the 7.2V battery pack out of power (dead battery), it should be replaced. Do not dispose in the household garbage but to the collection stations or at a special garbage depot.

Operation

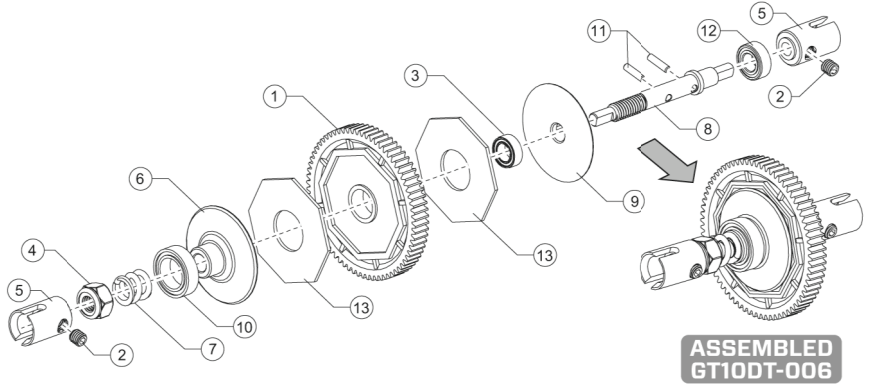
- Completely discharge a Nickel - Metal Hydride (NiMH) battery pack before you charge it. Frequent charging a Nickel - Metal Hydride battery pack that is not fully discharged can shorten its battery life.
- The battery pack cannot be fully charged when it in low temperate environment.
- To charge a very hot after use battery pack can permanently lose its ability to charge.
- Unplug the charger from the mains outlet before attempting any maintenance or cleaning.

CAUTION

- The battery charger is not a toy.
- Charger only Ni-MH type rechargeable batteries. Other types of batteries may explode and cause serious personally injury or damages.
- Never let the charger or battery pack get wet or damp.
- Overcharging can damage the battery pack. Follow the indicated recharging time.
- Check the batteries regularly for leakage.
- Non-rechargeable batteries are not to be recharged.
- Do not disassemble the charger. Take it to a qualified service technician when service or repair is required. Improper reassembly may result in a risk of fire, electric shock, or injury to persons.
- Do not recharge the battery pack while it is still hot after use. Wait until it has cooled down before recharge.
- Use only the recommended batteries or batteries of equal quality.
- Do not short circuit - all cables should be insulated. If necessary, use vinyl tape for insulation (NOT INCLUDED).
- Do not leave battery pack charger unattended when charging.
- The supply terminals are not to be short-circuited.
- Packing has to be kept since it contains important information.
- Do not expose the charger to rain or excessive moisture.
- Do not operate the charger if it has received a sharp blow, or been dropped or damaged in any way. Take it to qualified service technician to repair.
- To reduce the risk of damage to the AC plug and cord, disconnect the charger by pulling plug rather than the cord.
- Do not use an extension cord. It could result in fire or electric shock.
- Do not operate the charge if the cord or plug is damaged. Repair the charger. Never alter the provided AC cord or plug. If does not fit in the AC outlet, have a qualified service technician install the appropriate connector plug. Improper connection can result in an electrical shock. Never use the charger as a DC power source for any other electrical equipments.
- Rechargeable battery pack can explode if under incorrectly or non stop charging.
- Always observe the polarity to correctly connect :
 - Positive (+) to Positive (+) Negative (-) to Negative (-).

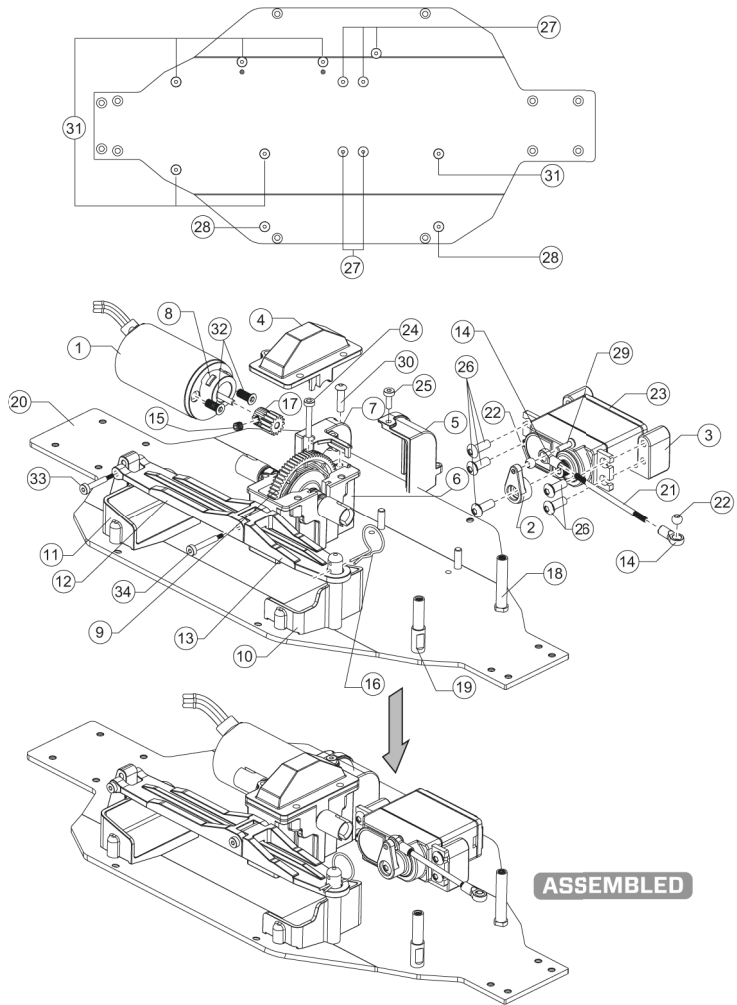
SLIPPER AND INPUT SHAFT ASSEMBLY

PART NUMBER	DESCRIPTION	QTY	
1	GT14BP0706-01	SPUR GEAR 70T	1
2	MASM038A	M3x3 SCREW	2
3	MASM083A	BEARING 4x7x2.5mm	1
4	MASM1011A	M4 LOCKNUT	1
5	MASM1625A	CENTER OUTDRIVE	2
6	MASM1757A	SLIPPER PLATE B	1
7	MASM1758A	SLIPPER SPRING	1
8	MASM2134A	SLIPPER SHAFT	1
9	MASM2135A	SLIPPER PLATE A	1
10	MASM270A	BEARING 7x11x3mm	1
11	ME014A	PIN 1.5x6.0L	2
12	ME031A	BEARING 4x8x3mm	1
13	SPC-G00005	SLIPPER SHEET	2



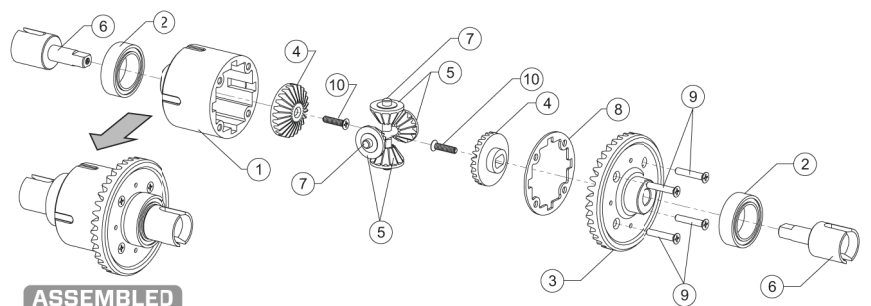
MAIN CHASSIS ASSEMBLY

PART NUMBER	DESCRIPTION	QTY	
1	MOT-G00124	370 BRUSHLESS MOTOR	1
2	GT10BP0605	25T SERVO SAVER HORN	1
3	GT10BP0607	SERVO MOUNT	1
4	GT10BP0608	DUST COVER	1
5	GT10BP0609	GEAR BOX COVER	1
6	GT10BP0610	MOTOR STAND A	1
7	GT10BP0611	MOTOR STAND B	1
8	GT10BP0612	MOTOR MOUNT	1
9	GT10DT-006	SLIPPER ASSEMBLY	1
10	GT10DTP0503	FRONT BATTERY MOUNT	1
11	GT10DTP0504	REAR BATTERY MOUNT	1
12	GT10DTP0507	BATTERY HOLD DOWN A	1
13	GT10DTP0508	BATTERY HOLD DOWN B	1
14	GT14BP0807	BALL CAP	2
15	MASM038A	M3x3 SCREW	1
16	MASM1366A	CLIP	1
17	MASM2132A	14T PINION	1
18	MASM2137A	LEFT STEERING POST	1
19	MASM2138A	RIGHT STEERING POST	1
20	MASM2306A	GT10DT METAL CHASSIS	1
21	MASM2330A	SERVO THREAD ROD	1
22	ME017A	3.9 BALL	2
23	MS-903WP	WATER RESISTANT SERVO	1
24	SSW-G00396	2x14cm	1
25	SSW-G00401	2x6cm	1
26	SSW-G00553	3x8TM	5
27	SSW-G00559	2.6x8KM	5
28	SSW-G00575	2.6x6KM	2
29	SSW-G00602	2x8KB	1
30	SSW-G00604	2.6x10TM	1
31	SSW-G00605	2.6x10KM	6
32	SSW-G00676	3x7KM	2
33	SSW-G00679	1.4x14	1
34	SSW-G00680	1.4x15.5	1

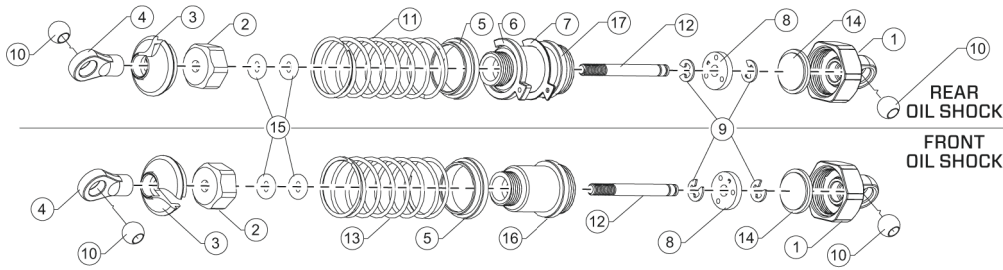


DIFFERENTIAL GEAR BOX ASSEMBLY

PART NUMBER	DESCRIPTION	QTY	
1	GT14BPR0701	DIFFERENTIAL GEAR HOUSING	1
2	MASM033A	BEARING 8x12x3.5mm	2
3	MASM2155A	BEVEL GEAR 37T	1
4	MASM2157A	BEVEL GEAR 24T	2
5	MASM2158A	DIFFERENTIAL BEVEL GEAR 12T	4
6	MASM2159A	PIN	2
7	MASM2160A	OUTDRIVE CUP	2
8	SPC-G00007	GEAR DIFF. SEAL SHEET	1
9	SSW-G00659	1.4x8KB D2.5	4
10	SSW-G00661	1.4x6KM D2.5	2

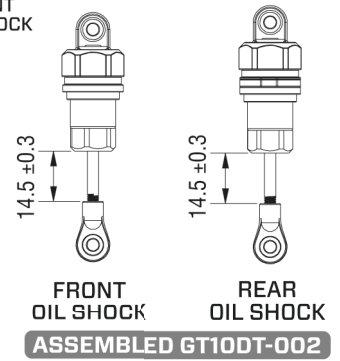


FRONT AND REAR OIL SHOCK ASSEMBLY

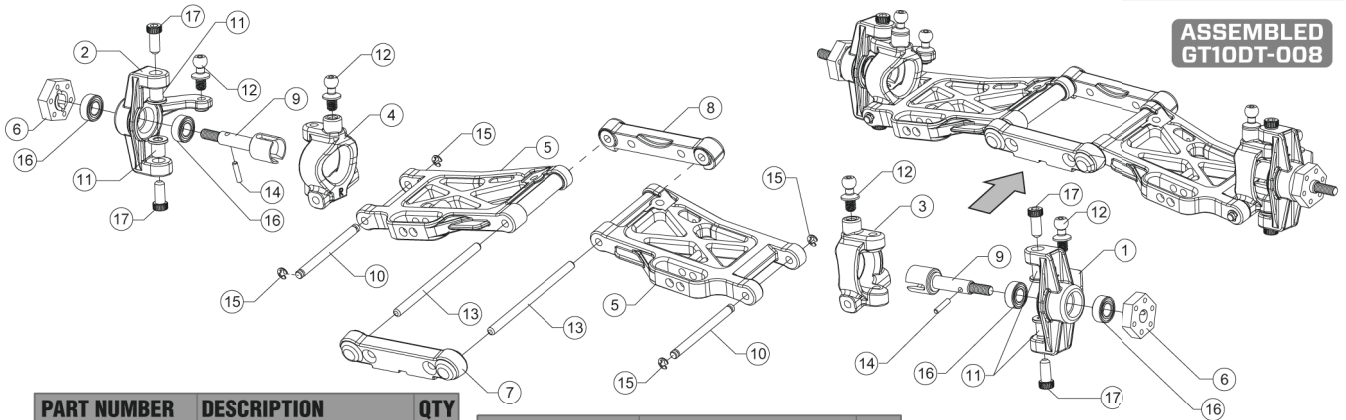


PART NUMBER	DESCRIPTION	QTY
1	GT14BP1001 OIL SHOCK TOP COVER	2
2	GT14BP1002-01 OIL SHOCK BOTTOM COVER	2
3	GT14BP1103 SPRING CUP	2
4	GT14BP1104 SHOCK END	2
5	GT14BP1105-01 OIL SHOCK ADJUSTER	2
6	GT14BP1108 OIL SHOCK SPACER 2mm	1
7	GT14BP1110 OIL SHOCK SPACER 0.5mm	1
8	GT14BPROP0101 SHOCK PISTON 1.3	2
9	MASM053A E-RING	4

PART NUMBER	DESCRIPTION	QTY
10	MASM204A 5.8 BALL THROUGH(5.79x4.6L)	4
11	MASM2185A REAR SHOCK SPRING	1
12	MASM2188A FRONT OIL SHOCK SHAFT	2
13	MASM2190A FRONT SHOCK SPRING	1
14	RBP-G00010 SHOCK DIAPHRAGM	2
15	RBP-G00014 O-RING	4
16	VTR10RP0801 FRONT OIL SHOCK SHAFT	1
17	VTR10RP0802 REAR OIL SHOCK BODY	1



FRONT SUSPENSION ARMS ASSEMBLY

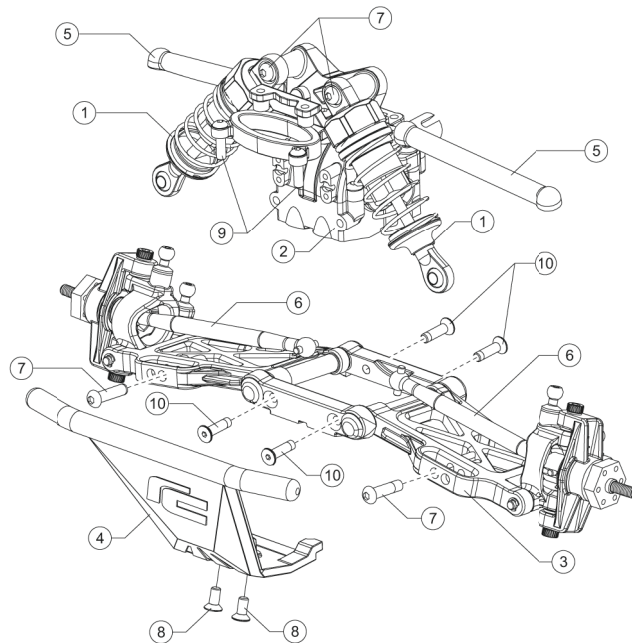
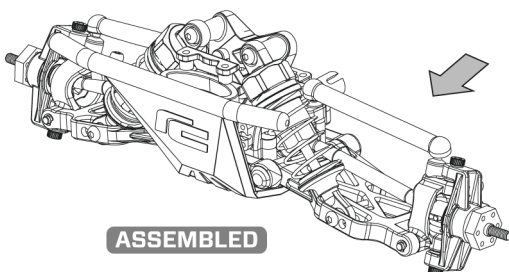


PART NUMBER	DESCRIPTION	QTY
1	GT14BP0302-01 LEFT SPINDLE	1
2	GT14BP0304-01 RIGHT SPINDLE	1
3	GT14BP0305-01 SPINDLE CARRIER LEFT	1
4	GT14BP0306-01 SPINDLE CARRIER RIGHT	1
5	GT14BP0401-02 FRONT SUSPENSION ARMS	2
6	GT14BP0507 WHEEL HEX	2
7	GT14BPROP0301 FRONT F SUSPENSION BRACE	1
8	GT14BPROP0302 FRONT R SUSPENSION BRACE	1
9	MASM1624A WHEELS SHAFT	2

PART NUMBER	DESCRIPTION	QTY
10	MASM1628A FRONT SPINDLE PIN	2
11	MASM1631A BUSHING	4
12	MASM1803A 4.3 STUD	4
13	MASM2017A REAR ARMS PIN	2
14	MASM245A PIN 1.5x7L	2
15	MASM269A 1.5 E-RING	4
16	MED031A BEARING 4x8x3mm	4
17	SSW-G00454 2.6x10cm	4

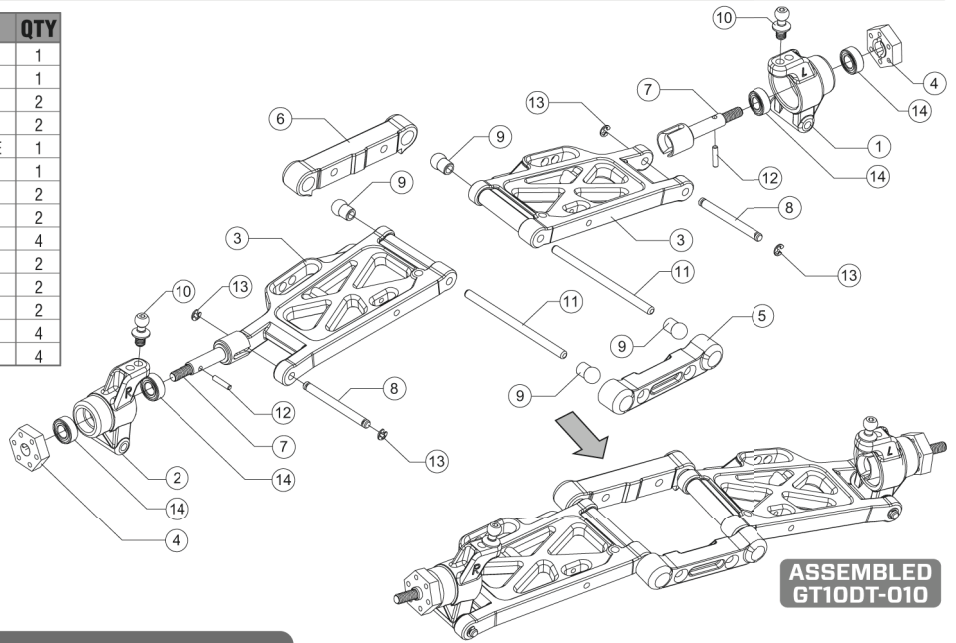
FRONT GEAR BOX AND OIL SHOCK ASSEMBLY

PART NUMBER	DESCRIPTION	QTY
1	GT10DT-002 FRONT SHOCK ASSEMBLY	2
2	GT10DT-004 FRONT GEAR BOX ASSEMBLY	1
3	GT10DT-008 FRONT SUSPENSION ARMS ASSEMBLY	1
4	GT10DTP0305 FRONT BUMPER	1
5	GT10DTP0402 FRONT PLASTIC LINKAGE	2
6	MASM2327A DOG BONE	2
7	SSW-G00573 3x14TM	4
8	SSW-G00575 2.6x6KM	2
9	SSW-G00604 2.6x10TM	2
10	SSW-G00605 2.6x10KM	2



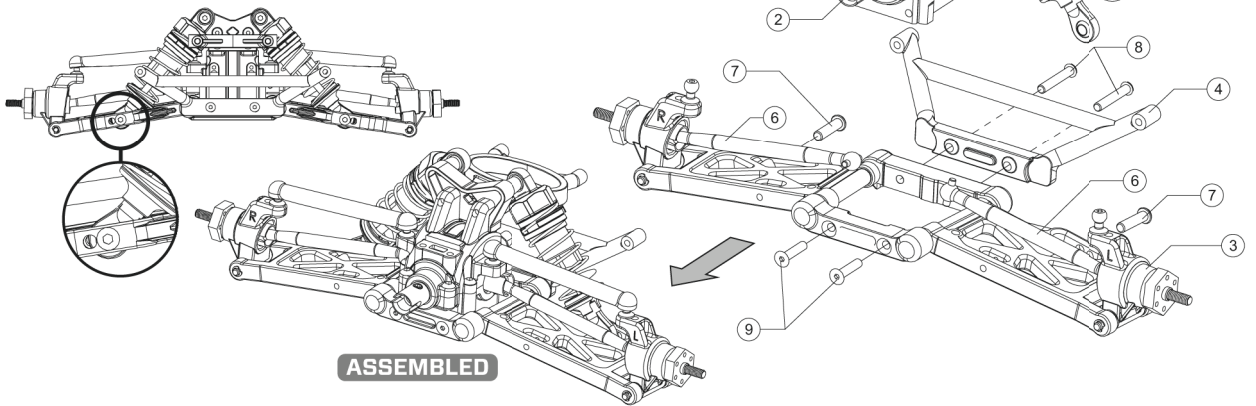
REAR SUSPENSION ARMS ASSEMBLY

PART NUMBER	DESCRIPTION	QTY
1	GT14BP0301-01 LEFT REAR HUB	1
2	GT14BP0302-01 RIGHT REAR HUB	1
3	GT14BP0402-02 REAR SUSPENSION ARMS	2
4	GT14BP0507 WHEEL HEX	2
5	GT14BPROP0304 REAR R SUSPENSION BRACE	1
6	GT14BPROP0306 REAR F SUSPENSION BRACE	1
7	MASM1624A WHEELS SHAFT	2
8	MASM1627A REAR HUB PIN	2
9	MASM1632A BALL STUD	4
10	MASM1803A 4.3 STUD	2
11	MASM2017A REAR ARMS PIN	2
12	MASM245A PIN 1.5x7L	2
13	MASM269A 1.5 E-RING	4
14	ME031A BEARING 4x8x3mm	4



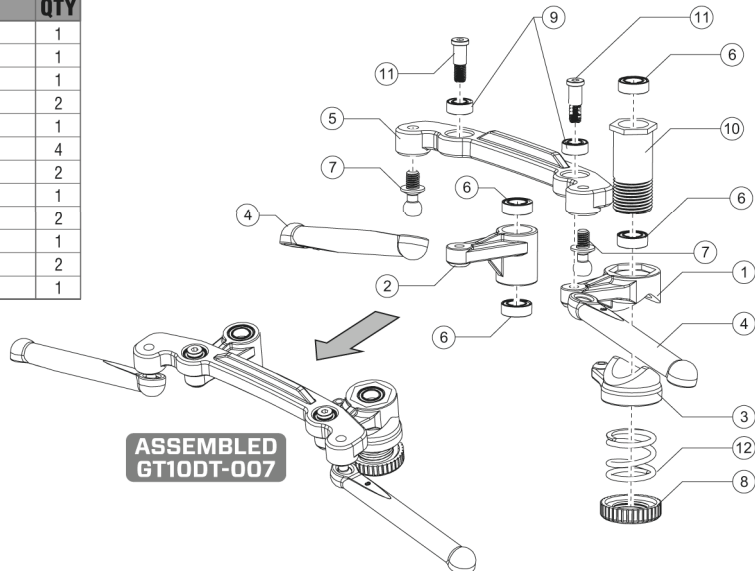
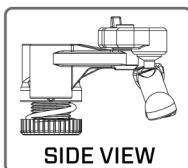
REAR GEAR BOX & OIL SHOCK ASSEMBLY

PART NUMBER	DESCRIPTION	QTY
1	GT10DT-002 REAR SHOCK ASSEMBLY	2
2	GT10DT-005 REAR GEAR BOX ASSEMBLY	1
3	GT10DT-010 REAR SUSPENSION ARMS ASSEMBLY	1
4	GT10DTP0304 REAR BUMPER BRACE	1
5	GT10DTP0404 REAR PLASTIC LINKAGE	2
6	MASM2327A DOG BONG	2
7	SSW-G00573 3x12TM	4
8	SSW-G00578 2.6x16TM	2
9	SSW-G00603 2.6x12KM	2



STEERING POST ASSEMBLY

PART NUMBER	DESCRIPTION	QTY
1	GT10BP0601 LEFT STEERING ARM	1
2	GT10BP0602 RIGHT STEERING ARM	1
3	GT10BP0606 SERVO SAVER	1
4	GT10DTP0403 STEERING LINK	2
5	GT10DTP0509 STEERING LINKAGE	1
6	MASM083A BEARING(4x7x2.5)	4
7	MASM1803A 4.3 STUD	2
8	MASM2006A SERVO SAVER ADSUSTER	1
9	MASM202A BEARING(3x6x2.5)	2
10	MASM2139A STEERING POST	1
11	MASM2299A SCREW	2
12	MASM2332A SERVO SAVER SPRING	1



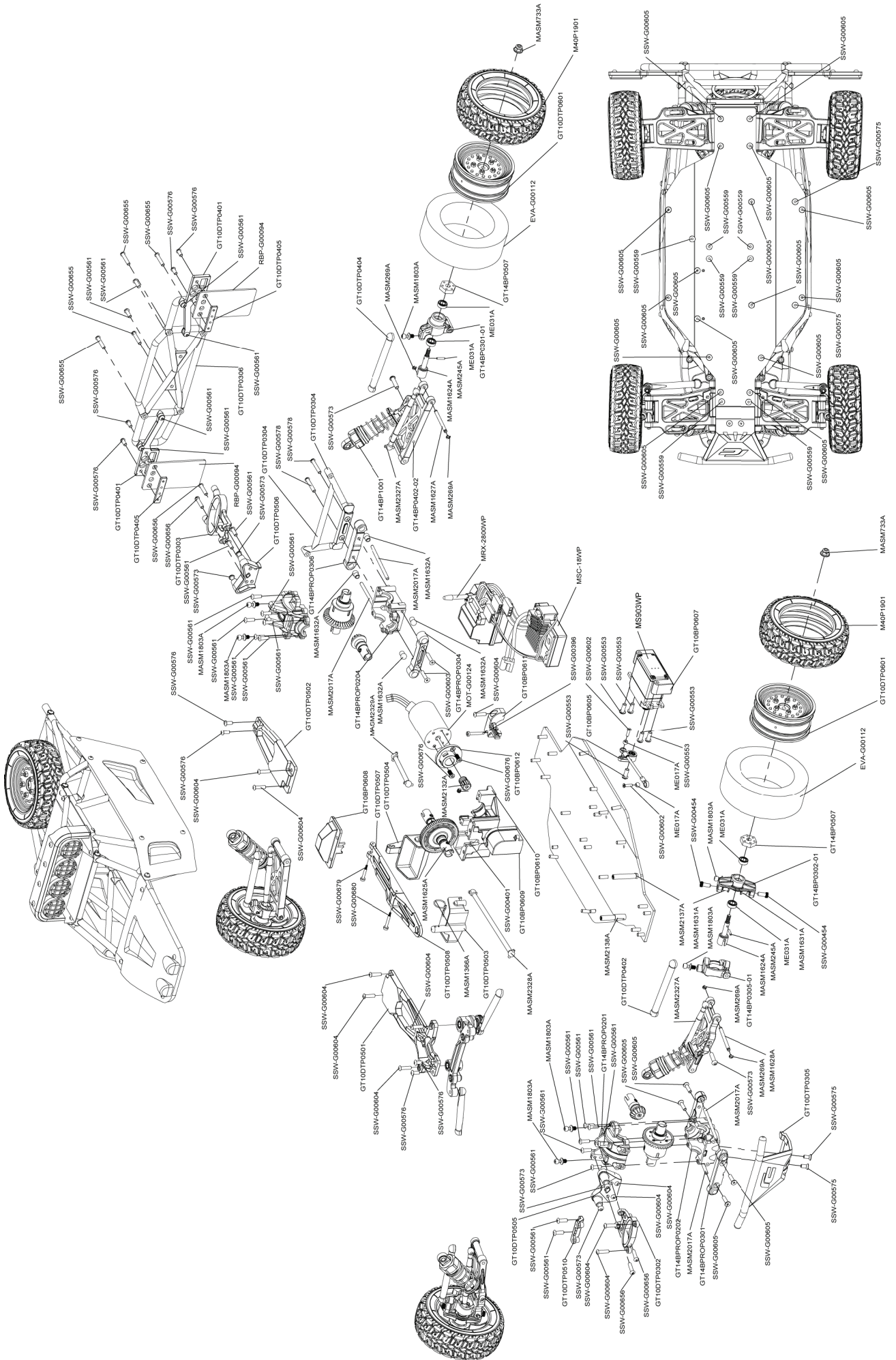
SPARE PARTS LIST

ITEM NO	BARCODE	PRODUCT NAME	PART NO	DESCRIPTION	QTY
15027	4892793150279	GT10DT LIGHT CUPS SET	GT10DTP0201	TOP SIDE LIGHT MOUNT	1
			M40DTP0303SV	TOP SIDE LIGHT COVER	4
			M40DTP0304	TOP SIDE LIGHT CUP	4
			M40DTP0402	TOP SIDE LIGHT CUP LENS	4
			SSW-G00561	SCREW 2.6x8TM	4
			SSW-G00584	SCREW 2x12TM	2
15028	4892793150286	GT10DT CLEAR BODY SET	GT10DTB0101	FRONT SIDE COVER	1
			GT10DTB0102	RIGHT SIDE COVER	1
			GT10DTB0103	LEFT SIDE COVER	1
			GT10DTB0201	TOP SIDE COVER	1
			DCC-G00292	CAR BODY STICKER	1
			DCL-G00318	CARISMA LOGO	1
			SSW-G00576	SCREW 2.6x6TM	4
			SSW-G00655	SCREW 2.6x14TM	12
15029	4892793150293	GT10DT WHEEL / TYRE PAIR(MOUNTED)	GT10DTP0601	DESERT WHEEL	2
			M40P1901	DESERT GRIP TYRES	2
			EVA-G00112	INNER SPONGE	2
15030	4892793150309	GT10DT SHOCK TOWER SET	GT10DTP0505	FRONT OIL SHOCK TOWER	1
			GT10DTP0506	REAR OIL SHOCK TOWER	1
15031	4892793150316	GT10DT STEERING ARM SET	GT10BP0601	LEFT STEERING ARM	1
			GT10BP0602	RIGHT STEERING ARM	1
15032	4892793150323	GT10DT BATTERY MOUNT SET	GT10DTP0503	FRONT BATTERY MOUNT	1
			GT10DTP0504	REAR BATTERY MOUNT	2
			GT10DTP0507	BATTERY HOLD DOWN A	1
			GT10DTP0508	BATTERY HOLD DOWN B	1
			SSW-G00680	SCREW 1.4x15.5mm	1
			SSW-G00679	SCREW 1.4x14mm	1
15033	4892793150330	GT10DT PLASTIC LINKAGE SET	GT10DTP0402	FRONT PLASTIC LINKAGE	2
			GT10DTP0403	STEERING PLASTIC LINKAGE	2
			GT10DTP0404	REAR PLASTIC LINKAGE	2
15034	4892793150347	GT10DT SERVO MOUNT	GT10BP0607	SERVO MOUNT	1
15035	4892793150354	GT10DT FRONT OIL SHOCK ASSEMBLED	MAT-10-SA-00014	FRONT OIL SHOCK ASSEMBLED	2
15036	4892793150361	GT10DT REAR OIL SHOCK ASSEMBLED	MAT-10-SA-00015	REAR OIL SHOCK ASSEMBLED	2
15037	4892793150378	GT10DT MOTOR MOUNT	GT10BP0610	MOTOR STAND A	1
			GT10BP0611	MOTOR STAND B	1
			GT10BP0612	MOTOR MOUNT	1
15038	4892793150385	GT10DT SLIPPER HARDWARE SET	MASM1757A	SLIPPER PLATE B	1
			MASM1758A	SLIPPER SPRING	1
			MASM2134A	SLIPPER SHAFT	1
			MASM2135A	SLIPPER PLATE A	1
			SPC-G00005	SLIPPER SHEET	1
			GT10DTP0501	FRONT UPPER DECK	1
15039	4892793150392	GT10DT UPPER DECK SET	GT10DTP0502	REAR UPPER DECK	1
			GT10DTP0202	FRONT BUMPER	1
15040	4892793150408	GT10DT FRONT BUMPER	GT10DTP0302	FRONT BUMPER BRACE	1
			GT10DTP0306	REAR BUMPER	1
15041	4892793150415	GT10DT REAR BUMPER	GT10DTP0303	REAR BUMPER BRACE	1
			MASM2328A	FRONT CENTER MAIN SHAFT	1
15042	4892793150422	GT10DT CENTER DRIVE SHAFT SET	MASM2329A	REAR CENTER MAIN SHAFT	1
			SSW-G00396	2x14cm	1
15043	4892793150439	GT10DT HARDWARE SET	SSW-G00401	2x6cm	1
			SSW-G00454	2.6x10cm	4
			SSW-G00470	2x6KM	2
			SSW-G00544	2x6TB	14
			SSW-G00553	3x8TM	5
			SSW-G00559	2.6x8KM	9
			SSW-G00561	2.6x8TM	30
			SSW-G00573	3x12TM	8
			SSW-G00574	3x10TM	2
			SSW-G00575	2.6x6KM	4
			SSW-G00576	2.6x6TM	22
			SSW-G00578	2.6x16TM	6
			SSW-G00584	2x12TM	2
			SSW-G00585	2x8TM	2
			SSW-G00602	2x8KB	2
			SSW-G00603	2.6x12KM	2
			SSW-G00604	2.6x10TM	11
			SSW-G00605	2.6x10KM	18
			SSW-G00655	2.6x14TM	12
			SSW-G00656	2.6x12TM	4
			SSW-G00659	M1.4x8KB D2.5	8
			SSW-G00661	1.4x6KM D2.5	4
			SSW-G00676	3x7KM	2
			SSW-G00679	1.4x14	1
			SSW-G00680	1.4x15.5	1

SPARE PARTS LIST

ITEM NO	BARCODE	PRODUCT NAME	PART NO	DESCRIPTION	QTY
15044	4892793150446	GT10DT PAINTED + DECORATED BODY	GT10DTB0101OR	FRONT SIDE COVER	1
			GT10DTB0102OR	RIGHT SIDE COVER	1
			GT10DTB0103OR	LEFT SIDE COVER	1
			GT10DTB0201OR	TOP SIDE COVER	1
			DCC-G00292	CAR BODY STICKER	1
			DCL-G00318	CARISMA LOGO	1
			SSW-G00655	SCREW 2.6x14TM	12
15045	4892793150453	GT10DT BEARING SET	MASM033A	BEARING 8x12x3.5mm	4
			MASM083A	BEARING 4x7x2.5mm	4
			MASM084A	BEARING 5x9x3mm	4
			MASM202A	BEARING 3x6x2.5mm	2
			MASM270A	BEARING 7x11x3mm	1
			ME031A	BEARING 4x8x3mm	9
15046	4892793150460	GT10DT LOCKNUT SET	MASM1011A	M4 LOCKNUT	1
			MASM2006A	LOCKNUT	1
			MASM733A	M3 LOCKNUT	4
15047	4892793150477	GT10DT WASHER SET	MASM093A	WASHER	4
			MASM269A	1.5 E-RING	8
15048	4892793150484	GT10DT SERVO THREAD ROD	MASM2330A	SERVO THREAD ROD	1
15049	4892793150491	GT10DT BALL STUD SET	MASM1632A	BALL STUD	4
			MASM1803A	4.3 STUD	12
			ME017A	3.9 STUD	2
15050	4892793150507	GT10DT 7.2V 1200mAh 2/3A NiMH BATTERY (EC3 Plug)	ASM-NMH00030	GT10DT NiMH BATTERY 7.2V 1200mAh	1
15052	4892793150521	GT10DT METAL CHASSIS	MASM2306A	GT10DT METAL CHASSIS	1
15053	4892793150538	GT10DT CAGE SET	GT10DTP0101	FRONT RIGHT CAGE	1
			GT10DTP0102	FRONT LEFT CAGE	1
			GT10DTP0103	REAR RIGHT CAGE	1
			GT10DTP0104	REAR LEFT CAGE	1
			GT10DTP0203	REAR SIDE CAGE	1
			GT10DTP0204	TOP SIDE CAGE	1
			GT10DTP0301	WHEEL MOUNT POST	1
			GT10DTP0305	FRONT SIDE CAGE	1
			SSW-G00561	SCREW 2.6x8TM	2
			SSW-G00574	SCREW 3x10TM	2
			SSW-G00576	SCREW 2.6x6TM	10
			SSW-G00578	SCREW 2.6x16TM	4
			SSW-G00584	SCREW 2x12TM	2
			SSW-G00585	SCREW 2x8TM	2
			SSW-G00655	SCREW 2.6x14TM	8
15054	4892793150545	GT10DT SERVO SAVER SET	GT10BP0606	SERVO SAVER	1
			MASM2332A	SERVO SAVER SPRING	1
15055	4892793150552	GT10DT STEERING CENTER DRAG LINK	GT10DTP0509	CENTER DRAG LINK	1
15056	4892793150569	GT10DT OUTDRIVE CUP (PAIR)	MASM2159A	OUTDRIVE CUP	2
15057	4892793150576	GT10DT SLIPPER SHAFT	MASM2134A	SLIPPER SHAFT	1
14690	4892793146906	GT14B SPUR GEAR SET	GT14BP0706-01	SPUR GEAR 70T	1
14728	4892793147286	GT14B FRONT AND REAR HUB SET	GT14BP0301-01	LEFT REAR HUB	1
			GT14BP0302-01	LEFT SPINDLE	1
			GT14BP0303-01	RIGHT REAR HUB	1
			GT14BP0304-01	RIGHT SPINDLE	1
			GT14BP0305-01	SPINDLE CARRIER LEFT	1
			GT14BP0306-01	SPINDLE CARRIER RIGHT	1
14729	4892793147293	GT14B SUSPENSION ARMS	GT14BP0401-02	FRONT SUSPENSION ARMS	2
			GT14BP0402-02	REAR SUSPENSION ARMS	2
14734	4892793147347	GT14B WHEEL HEX	GT14BP0507	WHEEL HEX	4
			GT14BP0516	WHEEL HEX B	2
14743	4892793147439	GT14B WHEEL SHAFT (PAIR)	MASM1627A	WHEEL SHAFT	2
14746	4892793147460	GT14B HINGE PIN SET	MASM2017A	REAR ARMS PIN	2
			MASM1627A	REAR HUB PIN	2
			MASM1628A	FRONT SPINDLE PIN	4
			MASM1632A	BALL STUD	4
			MASM269A	1.5 E-RING	8
14767	4892793147675	GT14B ALUMINUM SLIPPER PLATE	MASM1756A	SLIPPER PLATE A	1
			MASM1757A	SLIPPER PLATE B	1
			MASM1758A	SLIPPER SPRING	1
14744	4892793147446	GT14B CENTRE DRIVE CUP	MASM1625A	CENTER OUTDRIVE CUP	2
14901	4892793149013	GT14B PRO GEAR BOX HOUSING SET	GT14BPROPO201	GT14B PRO FRONT UPPER DIFF HOUSING CASE	1
			GT14BPROPO202	GT14B PRO FRONT LOWER DIFF HOUSING CASE	1
			GT14BPROPO203	GT14B PRO REAR UPPER DIFF HOUSING CASE	1
			GT14BPROPO204	GT14B PRO REAR LOWER DIFF HOUSING CASE	1
14914	4892793149143	GT14B WHEEL LOCK PIN 1.5x7L	MASM245A	PIN 1.5x7L	8
14966	4892793149662	GTB SERVO SAVER POST SET	MASM2139A	SERVO SAVER ADJUSTMENT POST	1
			MASM2006A	SERVO SAVER ADJUSTMENT COVER	1
			MASM083A	BEARING 4x7x2.5mm	1
14982	4892793149822	GT14B METAL GEAR AND PINS SET	MASM2155A	BEVEL GEAR 37T	1
			MASM2156A	BEVEL GEAR 15T	1
			MASM2157A	BEVEL GEAR 24T	2
			MASM2158A	DIFFERENTIAL BEVEL GEAR 12T	4
			MASM2160A	PIN	2

EXPLODED DIAGRAM





Visit Us on www.carisma.com.hk

© 2013 Carisma. All Rights Reserved. Product specifications are subject to change. Some models shown are prototypes which may vary slightly from what is inside.

